



 **FIRE
PROTECTION**



**PRODUCT
CATALOGUE**

www.gala-valves.com



GALA

Make Fluid Control to be Adaptive And Energy Efficient

WHO WE ARE

Originating from the United States, GALA has amassed over 20 years of design excellence, manufacturing prowess, and rigorous quality control. Today, it has evolved into a multinational corporation and a prominent valve brand, dedicated to furnishing innovative and dependable system solutions across diverse markets, including Fire Protection, Commercial Buildings, Data Center, Marine applications, and beyond. With two state-of-the-art production facilities, five sales and service branches, and four regional warehouses, GALA stands poised to engage in global cooperation and competition on a grander scale and with greater depth.

Guaranteed

Adaptive

Long-term

Advantages

OUR VISION

"Quality First, Brand Ascends to Glory." Through our unwavering commitment and continuous improvement, we aspire to be your foremost and most trusted choice. Furthermore, it would be a source of immense pride for us if we could contribute to making your work more energy-efficient and help make the world a slightly better place.



5 

Regional Sale Office

4 

Regional Warehouse

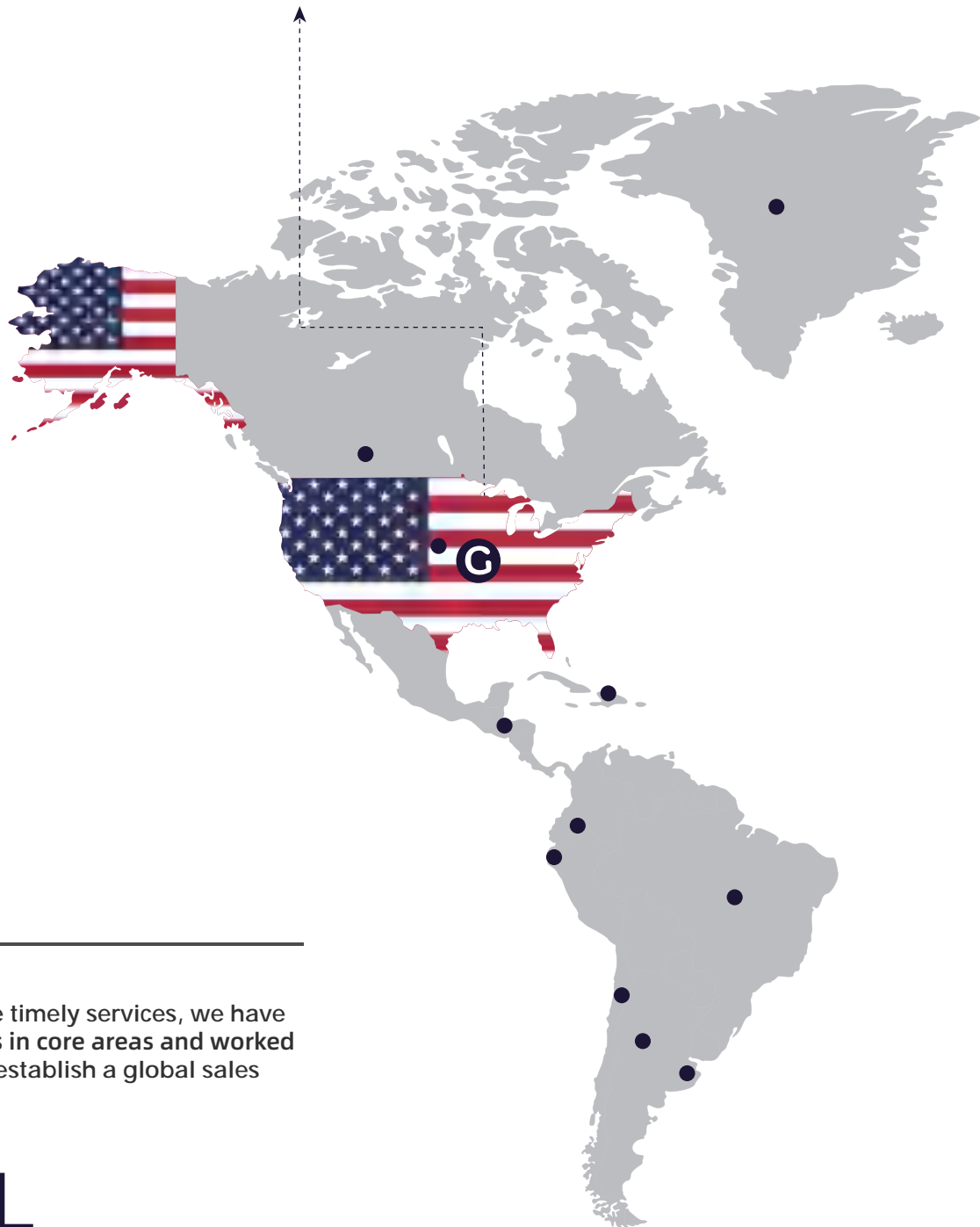
2 

Production Facility

70+

Countries & Regions
Gala Products Sold

*GALA USA
Head Office*



In order to provide more timely services, we have established sales offices in core areas and worked with dealer partners to establish a global sales and service network.

GLOBAL FOOTPRINTS

GALA RUSSIA



GALA SOUTHEAST ASIA



GALA CHINA



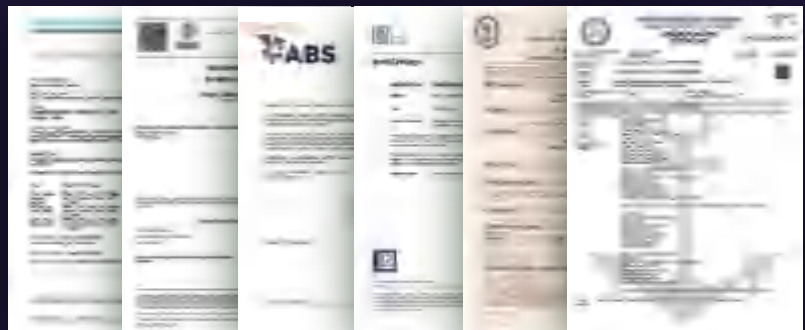
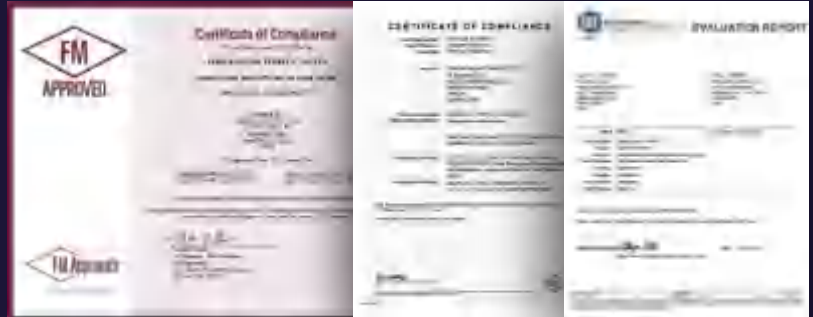
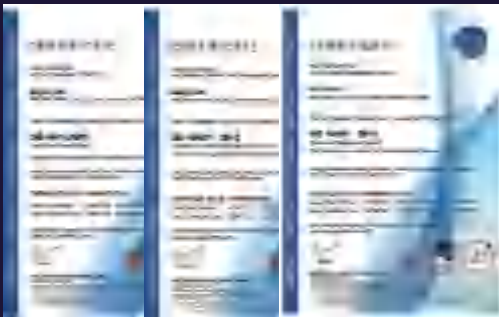
GALA MIDDLE EAST



CERTIFICATES

Product quality is the foundation of an enterprise's survival. GALA insists on winning by quality, and constantly strive to provide world class products that are far higher than market standards for fire protection, HVAC, waterworks and marine application.

At present, the company has passed the ISO 9001 quality system certification, ISO 45001 occupational health and safety management system, ISO 14001 environmental management system certification, and has obtained approval and certification from various authoritative organizations to ensure the applicability of products and the reliability of subsequent services.



CONTENTS

Gate Valve

NRS Resilient Seated Gate Valve Series

345PFF	FL Ends	1
345PFG	FL x Gr Ends	2
345PGG	Gr x Gr Ends	3
345PJ	MJ x MJ Ends	4
345PFJ	FL x MJ Ends	5

OS&Y Resilient Seated Gate Valve Series

341FF	FL Ends	6
341FG	FL x Gr Ends	7
341GG	Gr x Gr Ends	8
341JJ	FL x Gr Ends	9
341FJ	FL x MJ Ends	10

Indicator Post

G388	Underground Type	11
G345	Underground Type	13
G322	Underground Type	15
W388	Wall Type	17
W345	Wall Type	18

Check Valve

55FF	Resilient Seated Flanged Ends	20
58FF	Resilient Seated Flanged Ends	21
50GG-GGP	Resilient Seated Grooved Ends	22
58GG-GGP	Resilient Seated Grooved Ends	24
50W	Resilient Seated Wafer Ends	26

01

02

Y Stainer

70FF	Flanged Ends	27
70FG	Flange-Groove Ends	28
70GG	Groove-Groove Ends	29

03

Butterfly Valve

25W	Resilient Seated Wafer Ends	30
25L	Resilient Seated Lug Ends	32
25GG	Resilient Seated Grooved Ends	34

04

Air Vent

9712	Air Release Valve	36
------	-------------------	----

05

Fire Hydrant

1510	Dry Barrel Fire Hydrant	37
1511	Wet Barrel Fire Hydrant	40

06

Water Flow Detector With Retard

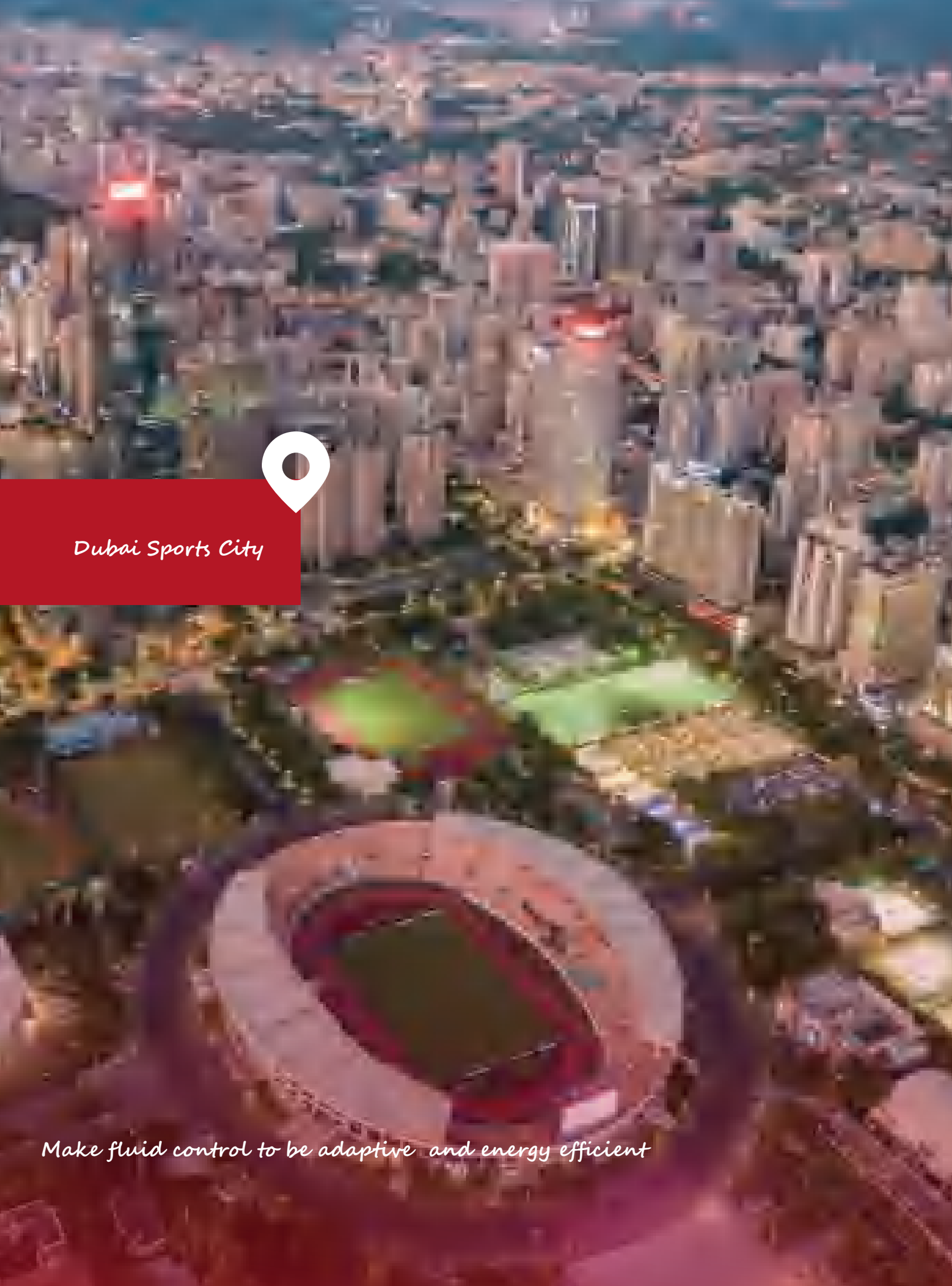
1042-V	Water Flow Detector With Retard	46
1042-T	Water Flow Detector With Retard	47

07

Brass Valve

1601	Brass Valve Test and Drain	48
1615	Hose Valve	49
1620	Pressure Reducing-Angle Valve	50
1640	Ball Valve	51
1650	Fire Department Connections	52

08



Dubai Sports City

Make fluid control to be adaptive and energy efficient

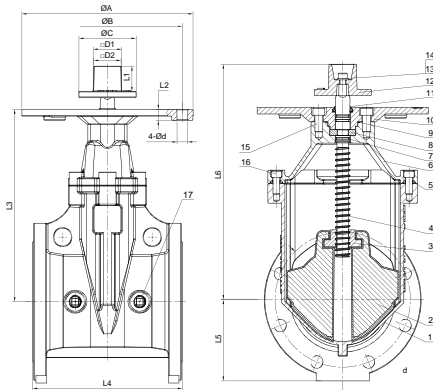
01

GATE VALVE & INDICATOR POST



Gate Valve Resilient Seated NRS Type-Flanged-Ends

■ Fig.345PFF



Technical Specification

- Valve Standard FM1120/1130, UL262 / CUL262
- Working Pressure 365PSI
- Working Temperature 4°C ~ 70°C
- Connection Ends ANSI CLASS125 / ANSI CLASS150 / EN 1092-2 PN16

Material Specification

No.	Part	Material	Specification
1	Body	Ductile Iron	ASTM A536 65-45-12
2	Resilient Wedge Disc	Ductile Iron	ASTM A536 65-45-12
3	Disc Nut	Bronze	ASTM B62 C83600
4	Stem	Stainless Steel	SS304
5	Sealing Gasket	EPDM	--
6	Bonnet	Ductile Iron	ASTM A536 65-45-12
7	O-Ring	EPDM	--
8	Split Ring	Bronze	ASTM B62 C83600
9	O-Ring	EPDM	--
10	Post Flange	Ductile Iron	ASTM A536 65-45-12
11	Dust Cover	EPDM	--
12	Square Head	Ductile Iron	ASTM A536 65-45-12
13	Screw	Carbon Steel	8.8
14	Flat Washer	Carbon Steel Galvanizing	--
15	Screw	Carbon Steel	8.8
16	Screw	Carbon Steel	12.9
17	Square Plug	Stainless Steel	SS304

Dimension

DN	INCH	φA	φB	φC	□D1	□D2	L1 mm	L2 mm	L3 mm	L4 mm	L5 mm	L6 mm	4-φd
50	2"	φ305	φ267	φ102	51	49	45	18	197	178	88	263	4-φ19
65	2½"	φ305	φ267	φ102	51	49	45	18	196.5	191	95	263	4-φ19
80	3"	φ305	φ267	φ102	51	49	45	18	224	203	100	293	4-φ19
100	4"	φ305	φ267	φ102	51	49	45	18	251	229	120	325.5	4-φ19
125	5"	φ305	φ267	φ102	51	49	45	19.5	343	254	132.5	420	4-φ19
150	6"	φ305	φ267	φ102	51	49	45	19.5	343	267	145	420	4-φ19
200	8"	φ305	φ267	φ102	51	49	45	18	422.5	292	175	506	4-φ19
250	10"	φ305	φ267	φ102	51	49	45	18	534	330	207.5	610	4-φ19
300	12"	φ305	φ267	φ102	51	49	45	19.5	613	356	247.5	711	4-φ19

Gate Valve Resilient Seated NRS Type-Flange-Groove-Ends

■ Fig.345PFG

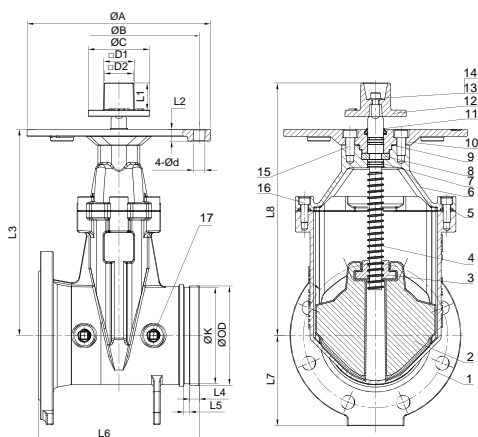


Technical Specification

- Valve Standard FM1120/1130, UL262 / CUL262
- Working Pressure 365PSI
- Working Temperature 4°C ~ 70°C
- Connection Ends ANSI CLASS125 / ANSI CLASS150 / EN 1092-2 PN16 / AWWA C 606 / GB/T8260 / VDS 2100

Material Specification

No.	Part	Material	Specification
1	Body	Ductile Iron	ASTM A536 65-45-12
2	Resilient Wedge Disc	Ductile Iron	ASTM A536 65-45-12
3	Disc Nut	Bronze	ASTM B62 C83600
4	Stem	Stainless Steel	SS304
5	Sealing Gasket	EPDM	--
6	Bonnet	Ductile Iron	ASTM A536 65-45-12
7	O-Ring	EPDM	--
8	Split Ring	Bronze	ASTM B62 C83600
9	O-Ring	EPDM	--
10	Post Flange	Ductile Iron	ASTM A536 65-45-12
11	Dust Cover	EPDM	--
12	Square Head	Ductile Iron	ASTM A536 65-45-12
13	Screw	Carbon Steel	8.8
14	Flat Washer	Carbon Steel Galvanizing	--
15	Screw	Carbon Steel	8.8
16	Screw	Carbon Steel	12.9
17	Square Plug	Stainless Steel	SS304



Dimension

DN	INCH	GB/T 8260		AWWA C606/ VDS 2100		φA	φB	□D1	□D2	L1 mm	L2 mm	L3 mm	L4 mm	L5 mm	L6 mm	L7 mm	L8 mm
		φOD	φK	φOD	φK												
50	2"	φ60.3	φ57.15	φ60.3	φ57.15	φ305	φ267	51	49	45	18	197	15.88	7.93	178	86	263
65	2½"	φ76.1	φ72.19	φ73	φ69.09	φ305	φ267	51	49	45	18	196.5	15.88	7.93	191	95	263
80	3"	φ88.9	φ84.94	φ89	φ85	φ305	φ267	51	49	45	18	224	15.88	7.93	203	105	293
100	4"	φ114.3	φ110.08	φ114.3	φ110.08	φ305	φ267	51	49	45	18	251	15.88	9.53	229	120	325.5
125	5"	φ139.7	φ135.2	φ141.3	φ137	φ305	φ267	51	49	45	19.5	343	15.9	9.5	254	133	420
150	6"	φ165.1	φ160.8	φ168.3	φ164	φ305	φ267	51	49	45	19.5	343	15.88	9.53	267	148	420
200	8"	φ219.1	φ214.1	φ219.1	φ214.1	φ305	φ267	51	49	45	18	422.5	19	12	292	176	506
250	10"	φ273	φ268	φ273	φ268	φ305	φ267	51	49	45	18	534	19	12.7	330	208	610
300	12"	φ323.9	φ317.9	φ323.9	φ317.9	φ305	φ267	51	49	45	19.5	613	19	12.7	356	246	711

Gate Valve Resilient Seated NRS Type-Groove-Groove-Ends

■ Fig.345PGG

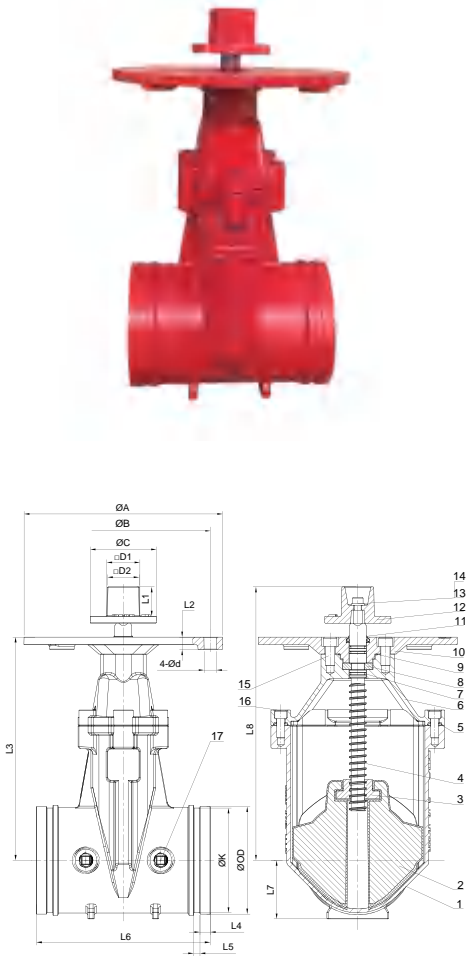


Technical Specification

- Valve Standard FM1120/1130, UL262 / CUL262
- Working Pressure 365PSI
- Working Temperature 4°C - 70°C
- Connection Ends AWWA C 606 / GB/T8260 / VDS 2100

Material Specification

No.	Part	Material	Specification
1	Body	Ductile Iron	ASTM A536 65-45-12
2	Resilient Wedge Disc	Ductile Iron	ASTM A536 65-45-12
3	Disc Nut	Bronze	ASTM B62 C83600
4	Stem	Stainless Steel	SS304
5	Sealing Gasket	EPDM	--
6	Bonnet	Ductile Iron	ASTM A536 65-45-12
7	O-Ring	EPDM	--
8	Split Ring	Bronze	ASTM B62 C83600
9	O-Ring	EPDM	--
10	Post Flange	Ductile Iron	ASTM A536 65-45-12
11	Dust Cover	EPDM	--
12	Square Head	Ductile Iron	ASTM A536 65-45-12
13	Screw	Carbon Steel	8.8
14	Flat Washer	Carbon Steel Galvanizing	--
15	Screw	Carbon Steel	8.8
16	Screw	Carbon Steel	12.9
17	Square Plug	Stainless Steel	SS304



Dimension

DN	INCH	φA	φB	φC	□ D1	□ D2	4-φd	GB/T 8260 / VDS 2100		AWWA C606		L1 mm	L2 mm	L3 mm	L4 mm	L5 mm	L6 mm	L7 mm	L8 mm
								φK	φOD	φK	φOD								
50	2"	φ305	φ267	φ102	51	49	4-φ19	φ57.15	φ60.3	φ57.15	φ60.3	45	18	197	15.9	7.93	178	43	263
65	2½"	φ305	φ267	φ102	51	49	4-φ19	φ72.19	φ76.1	φ69.09	φ73	45	18	197	15.9	7.93	191	43	263
80	3"	φ305	φ267	φ102	51	49	4-φ19	φ84.94	φ88.9	φ84.94	φ88.9	45	18	224	15.9	7.93	203	51	293
100	4"	φ305	φ267	φ102	51	49	4-φ19	φ110.08	φ114.3	φ110.08	φ114.3	45	18	251	15.9	9.53	229	61	326
125	5"	φ305	φ267	φ102	51	49	4-φ19	φ135.2	φ139.7	φ137	φ141.3	45	19.5	343	15.9	9.5	254	86	420
150	6"	φ305	φ267	φ102	51	49	4-φ19	φ160.8	φ165.1	φ164	φ168.3	45	19.5	343	15.9	9.53	267	90	420
200	8"	φ305	φ267	φ102	51	49	4-φ19	φ214.1	φ219.1	φ214.1	φ219.1	45	18	423	19	12	292	113	506
250	10"	φ305	φ267	φ102	51	49	4-φ19	φ268	φ273	φ268	φ273	45	18	534	19	12.7	330	157	610
300	12"	φ305	φ267	φ102	51	49	4-φ19	φ317.9	φ323.9	φ317.9	φ323.9	45	19.5	613	19	12.7	356	184	711

Gate Valve Resilient Seated NRS Type-MJ-MJ Ends

■ Fig.345PJJ

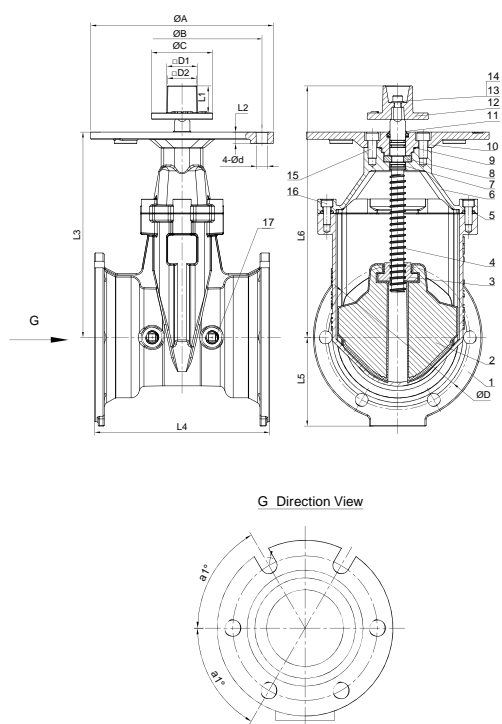


Technical Specification

- Valve Standard FM1120/1130, UL262 / CUL262
- Working Pressure 365PSI
- Working Temperature 4°C ~ 70°C
- Connection Ends ANSI / AWWA C111 / A21.11-00

Material Specification

No.	Part	Material	Specification
1	Body	Ductile Iron	ASTM A536 65-45-12
2	Resilient Wedge	Ductile Iron	ASTM A536 65-45-12
3	Disc	Ductile Iron	ASTM A536 65-45-12
4	Disc Nut	Bronze	ASTM B62 C83600
5	Stem	Stainless Steel	SS304
6	Sealing Gasket	EPDM	--
7	Bonnet	Ductile Iron	ASTM A536 65-45-12
8	O-Ring	EPDM	--
9	Split Ring	Bronze	ASTM B62 C83600
10	O-Ring	EPDM	--
11	Post Flange	Ductile Iron	ASTM A536 65-45-12
12	Dust Cover	EPDM	--
13	Square Head	Ductile Iron	ASTM A536 65-45-12
14	Screw	Carbon Steel	8.8
15	Flat Washer	Carbon Steel Galvanizing	--
16	Screw	Carbon Steel	8.8
17	Screw Plug	Carbon Steel	12.9
18	Square Plug	Stainless Steel	SS304



Dimension

DN	INCH	φA	φB	φC	□D1	□D2	L1 mm	L2 mm	L3 mm	L4 mm	L5 mm	L6 mm	4-φd	φD	a1°
80	3"	φ305	φ267	φ102	51	49	45	18	224	241	105	293	4-φ19	φ157	45°
100	4"	φ305	φ267	φ102	51	49	45	18	251	254	120	325.5	4-φ19	φ191	45°
150	6"	φ305	φ267	φ102	51	49	45	19.5	343	292	148	420	4-φ19	φ241	60°
200	8"	φ305	φ267	φ102	51	49	45	18	442.5	318	172.5	506	4-φ19	φ299	60°
250	10"	φ305	φ267	φ102	51	49	45	18	534	375	204.5	610	4-φ19	φ356	22.5°
300	12"	φ305	φ267	φ102	51	49	45	20	613	378	232	711	4-φ19	φ413	22.5°

Gate Valve Resilient Seated NRS Type-Flanged-MJ Ends

■ Fig.345PFJ

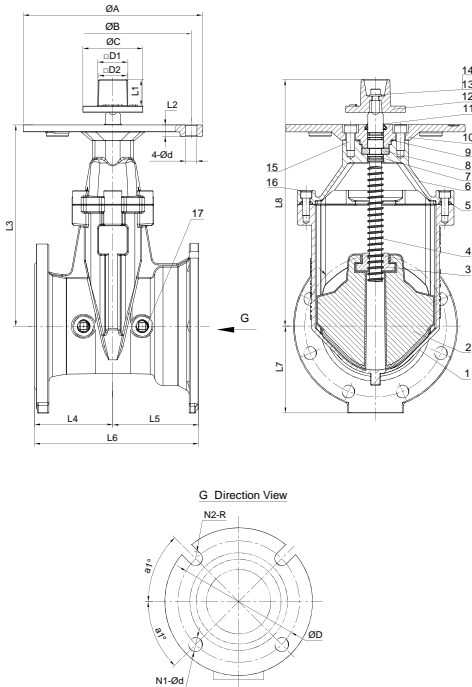


Technical Specification

- Valve Standard FM1120/1130, UL262 / CUL262
- Working Pressure 365PSI
- Working Temperature 4°C ~ 70°C
- Connection Ends ANSI 125 / ANSI 150 / EN 1092-2 PN16 / ANSI / AWWA C 111 / A21.11-00

Material Specification

No.	Part	Material	Specification
1	Body	Ductile Iron	ASTM A536 65-45-12
2	Resilient Wedge Disc	Ductile Iron	ASTM A536 65-45-12
3	Stem Nut	Bronze	ASTM B62 C83600
4	Stem	Stainless Steel	SS304
5	Sealing Gasket	EPDM	--
6	Bonnet	Ductile Iron	ASTM A536 65-45-12
7	O-Ring	EPDM	--
8	Split Ring	Bronze	ASTM B62 C83600
9	O-Ring	EPDM	--
10	Post Flange	Ductile Iron	ASTM A536 65-45-12
11	Dust Cover	EPDM	--
12	Square Head	Ductile Iron	ASTM A536 65-45-12
13	Screw	Carbon Steel	8.8
14	Flat Washer	Carbon Steel Galvanizing	--
15	Screw	Carbon Steel	8.8
16	Screw	Carbon Steel	12.9
17	Square Plug	Stainless Steel	SS304



Dimension

DN	INCH	φA	φB	φC	□D 1	□D 2	L1 mm	L2 mm	L3 mm	L4 mm	L5 mm	L6 mm	L7 mm	L8 mm	4-φd	N1-φ d	N2-R	a1°	φD
80	3"	φ305	φ267	φ102	51	49	45	18	224	102	121	222	105	293	4-φ19	2-φ19	2-R9.5	45°	φ157
100	4"	φ305	φ267	φ102	51	49	45	18	251	115	127	242	120	326	4-φ19	2-φ22	2-R11	45°	φ191
150	6"	φ305	φ267	φ102	51	49	45	19.5	343	134	146	280	148	420	4-φ19	4-φ22	2-R11	60°	φ241
200	8"	φ305	φ267	φ102	51	49	45	18	423	146	159	305	176	506	4-φ19	4-φ22	2-R11	60°	φ299
250	10"	φ305	φ267	φ102	51	49	45	18	534	165	188	353	205	610	4-φ19	6-φ22	2-R11	22.5°	φ356
300	12"	φ305	φ267	φ102	51	49	45	19.5	613	178	189	367	247	711	4-φ19	4-φ22	4-R11	22.5°	φ413

Gate Valve Resilient Seated OS&Y Type-Flanged Ends

■ Fig.341FF

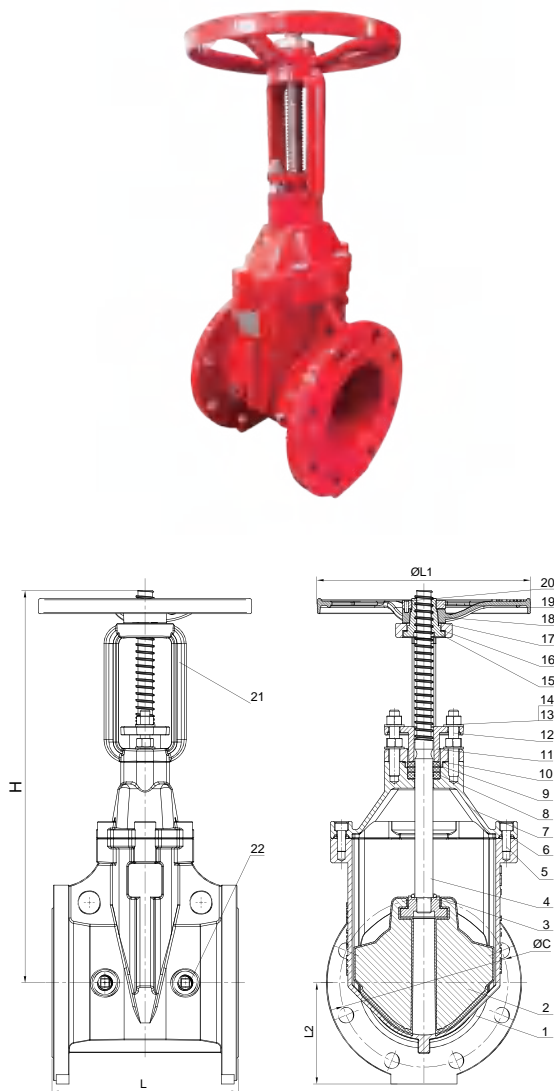


Technical Specification

- Valve Standard FM1120/1130, UL262 / CUL262
- Working Pressure 365PSI
- Working Temperature 4°C - 70°C
- Connection Ends ANSI CLASS125 / ANSI CLASS150 / EN 1092-2 PN16

Material Specification

No.	Part	Material	Specification
1	Body	Ductile Iron	ASTM A536 65-45-12
2	Resilient Wedge Disc	Ductile Iron	ASTM A536 65-45-12
3	O-Ring	EPDM	--
4	Stem	Stainless Steel	SS304
5	Screw	Carbon Steel	12.9
6	Bonnet Gasket	EPDM	--
7	Bonnet	Ductile Iron	ASTM A536 65-45-12
8	Sealing Ring	EPDM	--
9	Packing	PTFE	--
10	O-Ring	EPDM	--
11	Gland	Ductile Iron	ASTM A536 65-45-12
12	Stud	Stainless Steel	SS304
13	Flat Washer	Stainless Steel	SS304
14	Nut	Stainless Steel	SS304
15	Stem Nut	Bronze	ASTM B62
16	Gasket	Steel	ASTM B16
17	Gasket	Steel	ASTM B16
18	Handwheel	Ductile Iron	ASTM A536 65-45-12
19	Lock Nut	Stainless Steel	ASTM A351 CF8
20	Lock Screw	Stainless Steel	SS304
21	Bracket	Ductile Iron	ASTM A536 65-45-12
22	Square Plug	Stainless Steel	SS304



Dimension

DN	INCH	L mm	φL1	L2 mm	H (Close)	H (Open)
50	2"	178	φ160	88	341	409
65	2½"	191	φ160	95	341	409
80	3"	203	φ220	100	379	463
100	4"	229	φ220	120	420	522
125	5"	254	φ280	132.5	562	715
150	6"	267	φ306	145	562	715
200	8"	292	φ370	175	708.5	913
250	10"	330	φ420	207.5	861	1118
300	12"	356	φ445	247.5	1000	1300

Gate Valve Resilient Seated OS&Y Type-Flanged-Groove Ends

■ Fig.341FG



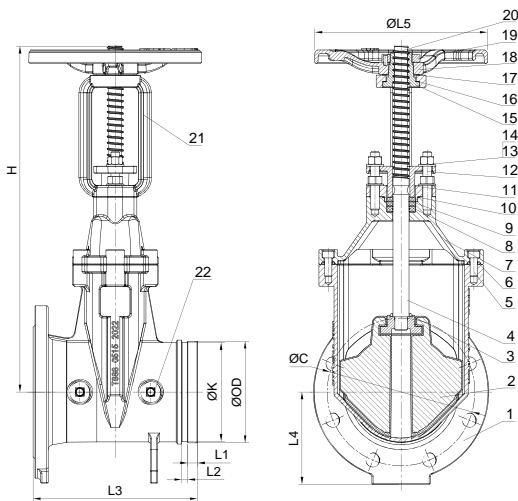
Technical Specification

- Valve Standard FM1120/1130, UL262 / CUL262
- Working Pressure 365PSI
- Working Temperature 4°C ~ 70°C
- Connection Ends ANSI CLASS125 / ANSI CLASS150 / EN 1092-2 PN16 / AWWA C606 / GB/T8260 / VDS 2100



Material Specification

No.	Part	Material	Specification
1	Body	Ductile Iron	ASTM A536 65-45-12
2	Disc	Ductile Iron	ASTM A536 65-45-12
3	O-Ring	EPDM	--
4	Stem	Stainless Steel	SS304
5	Screw	Carbon Steel	12.9
6	Bonnet Gasket	EPDM	--
7	Bonnet	Ductile Iron	ASTM A536 65-45-12
8	Sealing Ring	EPDM	--
9	Packing	PTFE	--
10	O-Ring	EPDM	--
11	Gland	Ductile Iron	ASTM A536 65-45-12
12	Stud	Stainless Steel	SS304
13	Flat Washer	Stainless Steel	SS304
14	Nut	Stainless Steel	SS304
15	Stem Nut	Bronze	ASTM B62
16	Gasket	Steel	ASTM B16
17	Gasket	Steel	ASTM B16
18	Handwheel	Ductile Iron	ASTM A536 65-45-12
19	Lock Nut	Stainless Steel	ASTM A351 CF8
20	Lock Screw	Stainless Steel	SS304
21	Bracket	Ductile Iron	ASTM A536 65-45-12
22	Square Plug	Stainless Steel	SS304



Dimension

DN	INCH	GB/T 8260		AWWA C606 /VDS 2100		H (Close)	H (Open)	L1 mm	L2 mm	L3 mm	L4 mm	φL5
		φOD	φK	φOD	φK							
50	2"	φ60.3	φ57.15	φ61	φ57.15	341	409	15.88	7.93	178	86	φ160
65	2½"	φ76.1	φ72.19	φ73	φ69.09	341	409	15.88	7.93	191	95	φ160
80	3"	φ88.9	φ84.94	φ89	φ85	379	463	15.88	7.93	203	105	φ220
100	4"	φ114.3	φ110	φ114.3	φ110	420	522	15.88	9.53	229	120	φ220
125	5"	φ139.7	φ135.2	φ141.3	φ137	562	715	15.88	9.53	254	133	φ280
150	6"	φ165.1	φ160.8	φ168.3	φ164	562	715	15.88	9.53	267	148	φ306
200	8"	φ219.1	φ214.1	φ219.1	φ214.1	708.5	913	19	12	292	176	φ370
250	10"	φ273	φ268	φ273	φ268	861	1118	19	12.7	330	208	φ420
300	12"	φ323.9	φ317.9	φ323.9	φ317.9	1000	1300	19	12.7	356	246	φ445

Gate Valve Resilient Seated OS&Y Type-Groove-Groove Ends

■ Fig.341GG



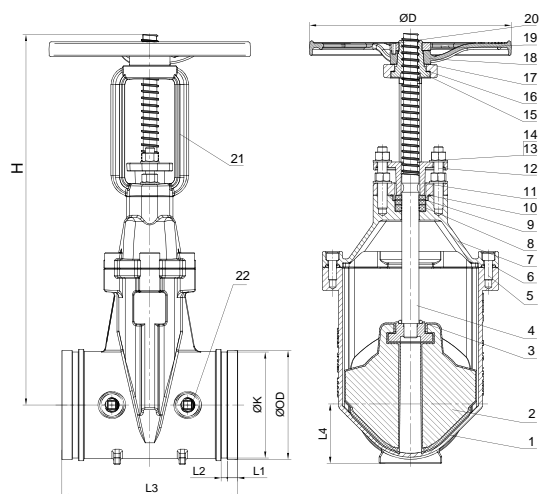
Technical Specification

- Valve Standard FM1120/1130, UL262 / CUL262
- Working Pressure 365PSI
- Working Temperature 4°C ~ 70°C
- Connection Ends AWWA C606 / GB/T8260 / VDS 2100



Material Specification

No.	Part	Material	Specification
1	Body	Ductile Iron	ASTM A536 65-45-12
2	Disc	Ductile Iron	ASTM A536 65-45-12
3	O-Ring	EPDM	--
4	Stem	Stainless Steel	SS304
5	Screw	Carbon Steel	12.9
6	Bonnet Gasket	EPDM	--
7	Bonnet	Ductile Iron	ASTM A536 65-45-12
8	Sealing Ring	EPDM	--
9	Packing	PTFE	--
10	O-Ring	EPDM	--
11	Gland	Ductile Iron	ASTM A536 65-45-12
12	Stud	Stainless Steel	SS304
13	Flat Washer	Stainless Steel	SS304
14	Nut	Stainless Steel	SS304
15	Stem Nut	Bronze	ASTM B62
16	Gasket	Steel	ASTM B16
17	Gasket	Steel	ASTM B16
18	Handwheel	Ductile Iron	ASTM A536 65-45-12
19	Lock Nut	Stainless Steel	ASTM A351 CF8
20	Lock Screw	Stainless Steel	SS304
21	Bracket	Ductile Iron	ASTM A536 65-45-12
22	Square Plug	Stainless Steel	SS304

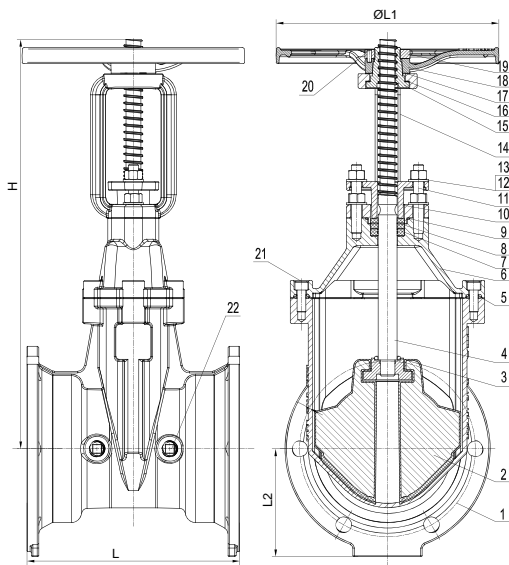


Dimension

DN	INCH	H (Close)	H (Open)	GB/T 8260 /VDS 2100		AWWA C606		L1 mm	L2 mm	L3 mm	L4 mm	φD
				φK	φOD	φK	φOD					
50	2"	341	409	φ57.15	φ60.3	φ57.15	φ60.3	7.93	15.88	178	43	φ160
65	2½"	341	409	φ72.19	φ76.1	φ69.09	φ73	7.93	15.88	191	43	φ160
80	3"	379	463	φ84.94	φ88.9	φ84.94	φ88.9	7.93	15.88	203	51	φ220
100	4"	420	522	φ110.08	φ114.3	φ110.08	φ114.3	9.53	15.88	229	61	φ220
125	5"	562	715	φ135.2	φ139.7	φ137	φ141.3	9.53	15.88	254	86	φ280
150	6"	562	715	φ160.8	φ165.1	φ164	φ168.3	9.53	15.88	267	90	φ306
200	8"	708.5	913	φ214.1	φ219.1	φ214.1	φ219.1	12	19	292	123	φ370
250	10"	861	1118	φ268	φ273	φ268	φ273	12.7	19	330	156.5	φ420
300	12"	1000	1300	φ317.9	φ323.9	φ317.9	φ323.9	12.7	19	356	183.5	φ445

Gate Valve Resilient Seated OS&Y Type-MJ-MJ Ends

■ Fig.341JJ



Technical Specification

- Valve Standard FM1120/1130, UL262 / CUL262
- Working Pressure 365PSI
- Working Temperature 4°C ~ 70°C
- Connection Ends ANSI / AWWA C111 / A21.11-00 / AWWA C 606

Material Specification

No.	Part	Material	Specification
1	Body	Ductile Iron	ASTM A536 65-45-12
2	Disc	Ductile Iron	ASTM A536 65-45-12
3	O-Ring	EPDM	--
4	Stem	Stainless Steel	SS304
5	Sealing Gasket	EPDM	--
6	Bonnet	Ductile Iron	ASTM A536 65-45-12
7	Seal Ring	EPDM	--
8	Packing	PTFE	--
9	O-Ring	EPDM	--
10	Gland	Ductile Iron	ASTM A536 65-45-12
11	Stud	Stainless Steel	SS304
12	Flat Washer	Stainless Steel	SS304
13	Nut	Stainless Steel	SS304
14	Bracket	Ductile Iron	ASTM A536 65-45-12
15	Stem Nut	Bronze	ASTM B62
16	Gasket	Steel	ASTM B16
17	Gasket	Steel	ASTM B16
18	Handwheel	Ductile Iron	ASTM A536 65-45-12
19	Lock Nut	Stainless Steel	CF8
20	Lock Screw	Stainless Steel	SS304
21	Screw	Carbon	12.9
22	Square Plug	Stainless Steel	SS304

Dimension

DN	INCH	L mm	ØL1	L2 mm	H (Close)	H (Open)
80	3"	241	φ220	105	379	463
100	4"	254	φ220	120	420	522
150	6"	292	φ306	148	562	715
200	8"	318	φ370	172.5	708.5	913
250	10"	375	φ420	204.5	861	1118
300	12"	378	φ445	232	1000	1300

Gate Valve Resilient Seated OS&Y Type-Flanged-MJ Ends

■ Fig.341FJ

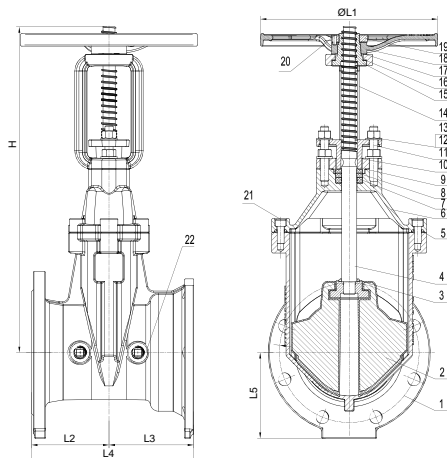


Technical Specification

- Valve Standard FM1120/1130, UL262 / CUL262
- Working Pressure 365PSI
- Working Temperature 4°C ~ 70°C
- Connection Ends ANSI 125 / ANSI 150 / EN 1092-2 PN16 / ANSI / AWWA C 111 / A21.11-00

Material Specification

No.	Part	Material	Specification
1	Body	Ductile Iron	ASTM A536 65-45-12
2	Disc	Ductile Iron	ASTM A536 65-45-12
3	O-Ring	EPDM	--
4	Stem	Stainless Steel	SS304
5	Sealing Gasket	EPDM	--
6	Bonnet	Ductile Iron	ASTM A536 65-45-12
7	Seal Ring	EPDM	--
8	Packing	PTFE	--
9	O-Ring	EPDM	--
10	Gland	Ductile Iron	ASTM A536 65-45-12
11	Stud	Stainless Steel	SS304
12	Flat Washer	Stainless Steel	SS304
13	Nut	Stainless Steel	SS304
14	Bracket	Ductile Iron	ASTM A536 65-45-12
15	Stem Nut	Bronze	ASTM B62
16	Gasket	Steel	ASTM B16
17	Gasket	Steel	ASTM B16
18	Handwheel	Stainless Steel	ASTM A536 65-45-12
19	Lock Nut	Stainless Steel	CF8
20	Lock Screw	Stainless Steel	SS304
21	Screw	Carbion	12.9
22	Square Plug	Stainless Steel	SS304



Dimension

DN	INCH	φL1	L2 mm	L3 mm	L4 mm	L5 mm	H (Close)	H (Open)
80	3"	φ220	101.5	120.5	222	105	379	463
100	4"	φ220	114.5	127	242	120	420	522
150	6"	φ306	133.5	146	279.5	148	562	715
200	8"	φ370	146	159	305	176	708.5	913
250	10"	φ420	165	187.5	352.5	204.5	861	1118
300	12"	φ445	178	189	367	247	1000	1300

Indicator Post Indicator Post-Underground Type

■ Fig.G388

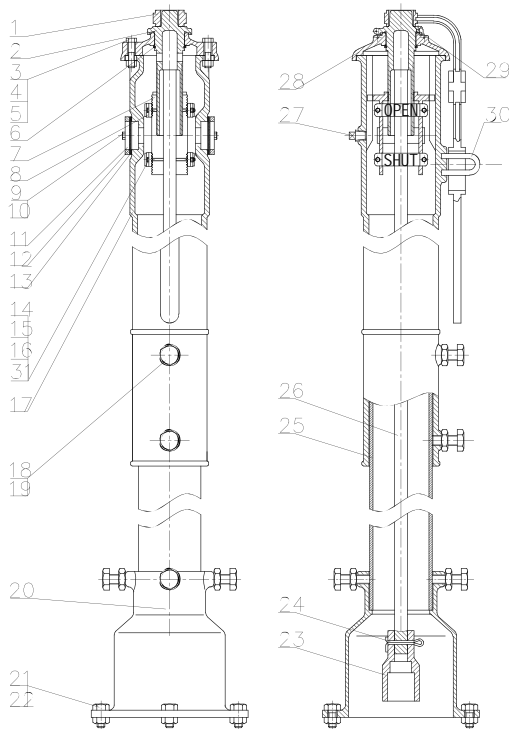


Technical Specification

- Valve Standard AWWA C550

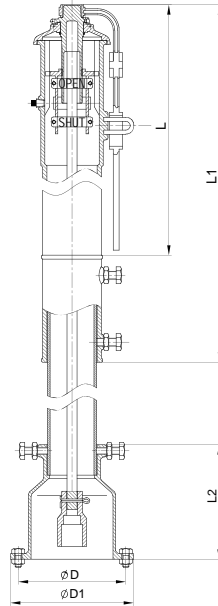
Material Specification

No.	Part	Material	Specification
1	Wrench	Ductile Iron	ASTM A536 65-45-12
2	Drive Nut	Bronze	ASTM B62
3	Hex Bolt	Steel	ASTM A105
4	Hex Nut	Steel	ASTM A105
5	Flat Washer	Steel	ASTM A105
6	External Circlip	Al	AISI 606
7	Indicator Indicating Stand	Bronze	ASTM B62
8	Indicator Indicating Dial	Al	ASTM B108
9	Hex Bolt	Stainless Steel	ASTM SS304
10	Flat Washer	Stainless Steel	ASTM SS304
11	Window Cover	Carbon Steel	ASTM A307B
12	Window	Lexan-un Stablize	--
13	Window Gasket	EPDM	--
14	Stud	Steel	ASTM A105
15	Washer	Steel	ASTM A105
16	Hex Nut	Steel	ASTM A105
17	Barrel	Ductile Iron	ASTM A536 65-45-12
18	Hex Bolt	Steel	ASTM A105
19	Hex Nut	Steel	ASTM A105
20	Pedestal	Cast Iron	ASTM A126B
21	Hex Bolt	Steel	ASTM A105
22	Hex Nut	Steel	ASTM A105
23	Coupler	Ductile Iron	ASTM A536 65-45-12
24	Cotter	Stainless Steel	ASTM SS304
25	Support Barrel	Steel	ASTM A53
26	Stem	Steel	AISI 1045
27	Plug	Steel	ASTM SS304
28	Top Cover	Cast Iron	ASTM A126B
29	Cross Recessed Countersunk Head Screw	Carbon Steel	ASTM A307B
30	Locking Nose	Carbon Steel	ASTM A307B
31	Flat Washer	Steel	ASTM A105



Indicator Post Indicator Post-Underground Type

■ Fig.G388

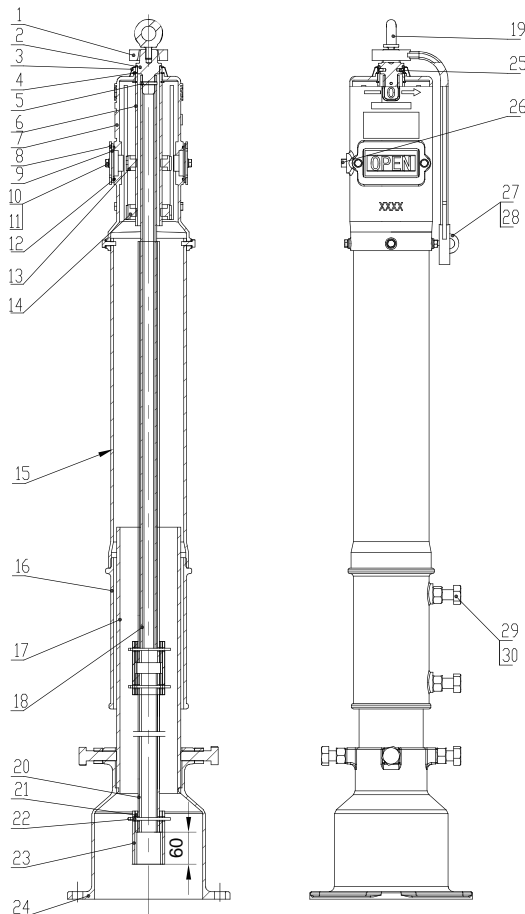


Dimension

DN	INCH	L mm	L1 mm	L2 mm	φD	φD1
50	2"	1002	1267	284	φ267	φ305
65	2½"	1002	1267	284	φ267	φ305
80	3"	1002	1267	284	φ267	φ305
100	4"	1002	1267	284	φ267	φ305
125	5"	1002	1267	284	φ267	φ305
150	6"	1002	1267	284	φ267	φ305
200	8"	1002	1267	284	φ267	φ305
250	10"	1002	1267	284	φ267	φ305
300	12"	1002	1267	284	φ267	φ305

Indicator Post Underground Type

■ Fig.G345

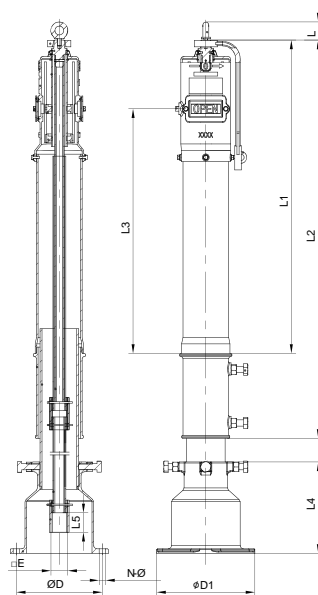


Material Specification

No.	Part	Material	Specification
1	Wrench	Ductile Iron	ASTM A536 65-45-12
2	Drive Square	Ductile Iron	ASTM A536 65-45-12
3	Dust Cap	EPDM	--
4	External Circlip	Steel	65Mn
5	Pin	Galvanized Carbon Steel Stainless Steel	-- SS304
6	Operating Screw	Stainless Steel	ASTM SS304
7	Upper Barrel	Ductile Iron	ASTM A536 65-45-12
8	Window Cover	Carbon Steel	ASTM A307B
9	Window	Lexan-un Stablized	--
10	Hex Bolt	Galvanized Carbon Steel Stainless Steel	-- SS304
11	Plat Washer	Galvanized Carbon Steel Stainless Steel	-- SS304
12	Seal Ring	EPDM	--
13	Open Indicator	Al	ASMT2024
14	Shut Indicator	Al	ASMT2024
15	Lower Barrel--First	Ductile Iron	ASTM A536 65-45-12
16	Lower Barrel --Second	Ductile Iron	ASTM A536 65-45-12
17	Support Barrel	Steel	ASTM A53
18	Square Tube	Steel	AISI 1045 (Galvanize Surface)
19	Hoisting Ring	Steel	ASTM A105
20	Square Tube	Steel	AISI 1045 (Galvanize Surface)
21	Square Tube	Steel	AISI 1045 (Galvanize Surface)
22	Cotter	Galvanized Carbon Steel Stainless Steel	-- SS304
23	Square Tube	Steel	AISI 1045 (Galvanize Surface)
24	Pedestal	Ductile Iron	ASTM A536 65-45-12
25	Screw	Galvanized Carbon Steel Stainless Steel	-- SS304
26	Plug	Stainless Steel	ASTM SS304
27	Screw	Galvanized Carbon Steel Stainless Steel	-- SS304
28	Hex Nut	Galvanized Carbon Steel Stainless Steel	-- SS304
29	Hex Bolt	Galvanized Carbon Steel Stainless Steel	-- SS304
30	Hex Nut	Galvanized Carbon Steel Stainless Steel	-- SS304

Indicator Post Underground Type

■ Fig.G345



Dimension

DN	INCH	L mm	L1 mm	L2 mm	L3 mm	L4 mm	L5 mm	φD	φD1	□E	N-φ
50	2"	37	974	1238	760	284	60	φ267	φ305	52	4-φ19
65	2½"	37	974	1238	760	284	60	φ267	φ305	52	4-φ19
80	3"	37	974	1238	760	284	60	φ267	φ305	52	4-φ19
100	4"	37	974	1238	760	284	60	φ267	φ305	52	4-φ19
125	5"	37	974	1238	760	284	60	φ267	φ305	52	4-φ19
150	6"	37	974	1238	760	284	60	φ267	φ305	52	4-φ19
200	8"	37	974	1238	760	284	60	φ267	φ305	52	4-φ19
250	10"	37	974	1238	760	284	60	φ267	φ305	52	4-φ19
300	12"	37	974	1238	760	284	60	φ267	φ305	52	4-φ19

Indicator Post Indicator Post-Underground Type

■ Fig.G322

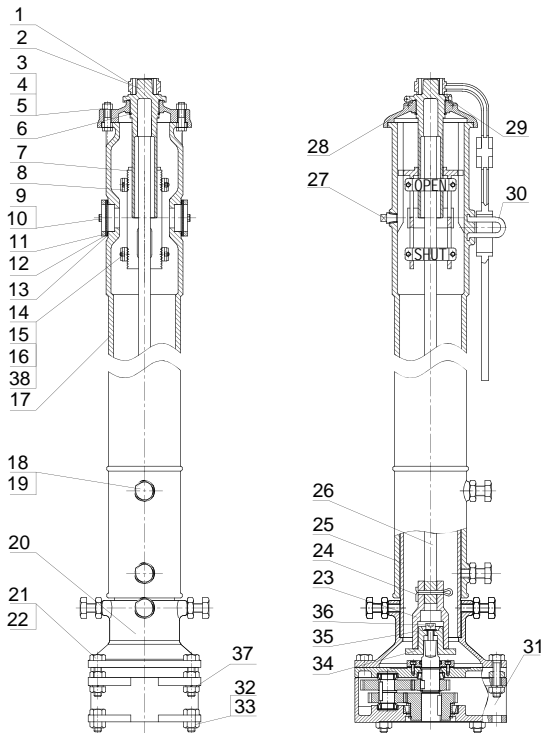


Technical Specification

- Valve Standard AWWA C550

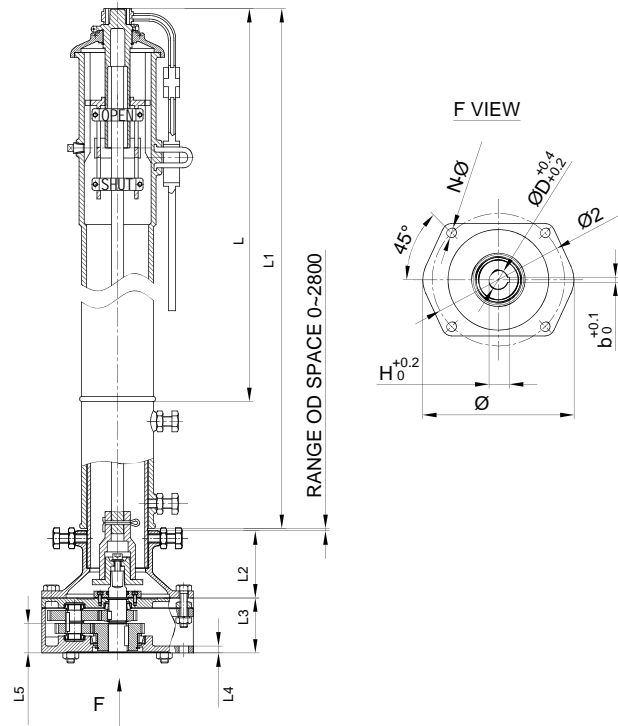
Material Specification

No.	Part	Material	Specification
1	Locking Wrench	Ductile Iron	ASTM A536 65-45-12
2	Operating Nut	Stainless Steel	ASTM A351 CF8
3	Hex Bolt	Steel	ASTM A105
4	Hex Nut	Steel	ASTM A105
5	Flat Washer	Steel	ASTM A105
6	External Circlip	Al	AISI 606
7	Indicator Stand	Stainless Steel	ASTM A351 CF8
8	Indicator Panel	Al	ASTM B108
9	Hex Bolt	Stainless Steel	ASTM SS304
10	Flat Washer	Stainless Steel	ASTM SS304
11	Window Gland	Carbon Steel	ASTM A307B
12	Window	Lexan-un Stablize	--
13	Window Gesket	EPDM	--
14	Stud	Steel	ASTM A105
15	Spring Washer	Steel	ASTM A105
16	Hex Nut	Steel	ASTM A105
17	Barrel	Ductile Iron	ASTM A536
18	Hex Bolt	Steel	ASTM A105
19	Hex Nut	Steel	ASTM A105
20	Pedestal	Cast Iron	ASTM A126B
21	Hex Bolt	Steel	ASTM A105
22	Hex Nut	Steel	ASTM A105
23	Crane Coupling	Ductile Iron	ASTM A536
24	Cotter Pin	Stainless Steel	ASTM SS304
25	Stand Pipe	Steel	ASTM A53
26	Stem	Steel	AISI 1045
27	Plug	Steel	ASTM SS304
28	Top Cover	Cast Iron	ASTM A126B
29	Screw	Stainless Steel	ASTM SS304
30	Locking Nose	Carbon Steel	ASTM A307B
31	Reducer	Ratrs	--
32	Hex Bolt	Steel	ASTM A105
33	Hex Nut	Steel	ASTM A105
34	Square Head	Ductile Iron	ASTM A536
35	Washer	Steel	ASTM SS304
36	Hex.Socket Cap Screw	Steel	ASTM SS304
37	Washer	Steel	ASTM SS304
38	Washer	Steel	ASTM SS304



Indicator Post Indicator Post-Underground Type

■ Fig.G322

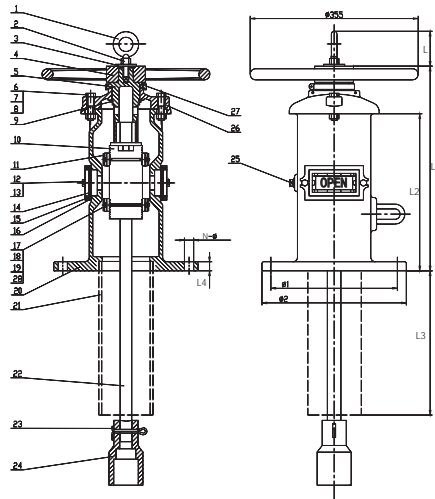


Dimension

DN	INCH	φD mm	H mm	b mm	φ	φ2	N-φ	L mm	L1 mm	L2 mm	L3 mm	L4 mm	L5 mm
350	14"	φ38	41	10	φ305	φ267	4-φ20	1039	1035	135	114	14	63
400	16"	φ38	41	10	φ305	φ267	4-φ20	1039	1035	135	114	14	63
450	18"	φ45	49	14	φ305	φ267	4-φ20	1039	1035	135	114	14	63
500	20"	φ45	49	14	φ305	φ267	4-φ20	1039	1035	135	114	14	63
600	24"	φ18	52	14	φ305	φ267	4-φ20	1039	1035	135	114	14	63

Indicator Post Indicator Post-Wall Type

■ Fig.W388



Technical Specification

- Valve Standard AWWA C550

Specification

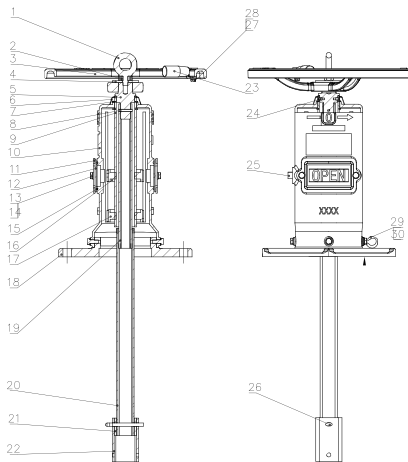
No.	Part	Material	Specification
1	Lifting Eye Bolt	Steel	ASTM A105
2	Hex Nut	Steel	ASTM A105
3	Washer	Stainless Steel	AISI 304
4	Hand Wheel	Ductile Iron	ASTM A536 65-45-12
5	Operating Nut	Stainless Steel	ASTM A351 CF8
6	Hex Screw	Steel	ASTM A105
7	Hex Nut	Steel	ASTM A105
8	Washer	Steel	ASTM A105
9	External Circlip	Al	AISI 606
10	Indicator Stand	Stainless Steel	ASTM A351 CF8
11	Indicator Panel	Al	ASTM B108
12	Hex Nut	Stainless Steel	AISI 304
13	Washer	Stainless Steel	AISI 304
14	Window	Lexan-un Stabilized	--
15	Window Cover	Carbon Steel	ASTM A307B
16	Seal Ring	EPDM	--
17	Stud	Steel	ASTM A105
18	Washer	Steel	ASTM A105
19	Hex Nut	Steel	ASTM A105
20	Barrel	Cast Iron	ASTM A126B
21	Stand Pipe	Steel	ASTM A53
22	Stem	Steel	AISI 1045
23	Cotter Pin	Stainless Steel	ASTM SS304
24	Crane Coupling	Ductile Iron	ASTM A536 65-45-12
25	Plug	Stainless Steel	AISI 304
26	Cover	Cast Iron	ASTM A126B
27	Cross Recessed Countersunk Head Screw	Stainless Steel	AISI 304
28	Washer	Steel	ASTM A105

Dimension

DN	INCH	L mm	L1 mm	L2 mm	L3 mm	L4 mm	N-φ	φ1	φ2
50	2"	74	432	332	305	19	4-φ20	φ267	φ305
65	2½"	74	432	332	305	19	4-φ20	φ267	φ305
80	3"	74	432	332	305	19	4-φ20	φ267	φ305
100	4"	74	432	332	305	19	4-φ20	φ267	φ305
125	5"	74	432	332	305	19	4-φ20	φ267	φ305
150	6"	74	432	332	305	19	4-φ20	φ267	φ305
200	8"	74	432	332	305	19	4-φ20	φ267	φ305
250	10"	74	432	332	305	19	4-φ20	φ267	φ305
300	12"	74	432	332	305	19	4-φ20	φ267	φ305

Indicator Post Wall Type

■ Fig.W345

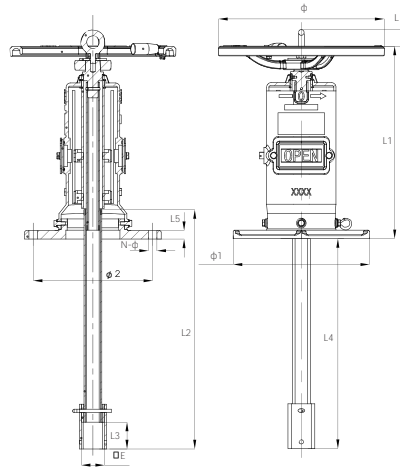


Specification

No.	Part	Material	Specification
1	Hoisting Ring	Steel	ASTM A105
2	Hex Nut	Steel	ASTM A105
3	Hand Wheel	Ductile Iron	ASTM A536 65-45-12
4	Hand Wheel Gasket	Stainless Steel	ASTM SS304
5	Drive Square	Ductile Iron	ASTM A536 65-45-12
6	Dust Cap	EPDM	--
7	External Circlip	Steel	65Mn
8	Pin	Galvanized Carbon Steel Stainless Steel	-- SS304
9	Drive Stem	Stainless Steel	ASTM SS304
10	Upper Barrel	Ductile Iron	ASTM A536 65-45-12
11	Window Cover	Carbon Steel	ASTM A307B
12	Window	Lexan-un Stablized	--
13	Hex Bolt	Galvanized Carbon Steel Stainless Steel	-- SS304
14	Plat Washer	Galvanized Carbon Steel Stainless Steel	-- SS304
15	Seal Ring	EPDM	--
16	Open Indicator	AI	ASTM 2024
17	Shut Indicator	AI	ASTM 2024
18	Post Flange	Ductile Iron	ASTM A536 65-45-12
19	Square Tube	Carbon Steel	AISI 1045 (Galvanize Surface)
20	Square Tube	Carbon Steel	AISI 1045 (Galvanize Surface)
21	Square Tube	Carbon Steel	AISI 1045 (Galvanize Surface)
22	Square Tube	Carbon Steel	AISI 1045 (Galvanize Surface)
23	Handle	--	--
24	Screw	Galvanized Carbon Steel Stainless Steel	-- SS304
25	Plug	Stainless Steel	ASTM SS304
26	Cotter	Galvanized Carbon Steel Stainless Steel	-- SS304
27	Washer	Galvanized Carbon Steel Stainless Steel	-- SS304
28	Screw	Galvanized Carbon Steel Stainless Steel	-- SS304
29	Screw	Galvanized Carbon Steel Stainless Steel	-- SS304
30	Hex Nut	Galvanized Carbon Steel Stainless Steel	-- SS304

Indicator Post Wall Type

■ Fig.W345



Dimension

DN	INCH	L mm	L1 mm	L2 mm	L3 mm	L4 mm	L5 mm	N-φ	φ	φ1	φ2	□E
50	2"	37	431	840	60	775	18	4-φ19	φ370	φ305	φ267	52
65	2½"	37	431	840	60	775	18	4-φ19	φ370	φ305	φ267	52
80	3"	37	431	840	60	775	18	4-φ19	φ370	φ305	φ267	52
100	4"	37	431	840	60	775	18	4-φ19	φ370	φ305	φ267	52
125	5"	37	431	840	60	775	18	4-φ19	φ370	φ305	φ267	52
150	6"	37	431	840	60	775	18	4-φ19	φ370	φ305	φ267	52
200	8"	37	431	840	60	775	18	4-φ19	φ370	φ305	φ267	52
250	10"	37	431	840	60	775	18	4-φ19	φ370	φ305	φ267	52
300	12"	37	431	840	60	775	18	4-φ19	φ370	φ305	φ267	52

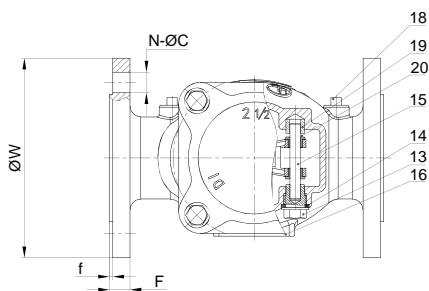
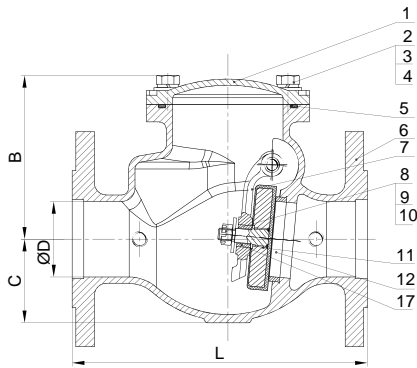
02

GHECK VALVE



Swing Check Valve Resilient Seated Flanged Ends

■ Fig.55FF



Technical Specification

- Valve Standard AWWA C508 / AWWA C550
- Working Pressure 200PSI / 250PSI / 300PSI
- Working Temperature -10°C ~ 120°C
- Flanged Ends ANSI B16.1 CLASS125 / B16.42 CLASS150 / B16.1 CALSS250 / EN1092 PN10/PN16 / Table D / Table E / CI250 (DN65 ~ DN300) / EN1092 PN25 (DN50 ~ DN125, DN200 ~ DN300)

Material Specification

No.	Part	Material	Specification
1	Cover	Ductile Iron	ASTM A536 65-45-12
2	Hexagon Head Bolts	Carbon Steel	GR.8.8
3	Washer	Carbon Steel	--
4	Spring Washer	Carbon Steel	--
5	O-Ring	EPDM	--
6	Body	Ductile Iron	ASTM A536 65-45-12
7	Rocker	Ductile Iron	ASTM A536 65-45-12
8	Hexagonal Slot Thin Nut	Stainless Steel	SS304
9	Washer	Stainless Steel	SS304
10	Split Pin	Stainless Steel	SS304
11	Disc	Stainless Steel+ Carbon Steel+EPDM	SS304
12	Seat	Brass	B271 C84400
13	Shaft Hole Plug	Stainless Steel	SS304
14	Plug The Gasket	EPDM	--
15	Radial Spindle	Stainless Steel	SS304
16	Scutcheon	Stainless Steel	SS304
17	Swing Arm Sleeve	Bronze	B150 C63000
18	Plug	Stainless Steel	SS304
19	AXle Hole Sleeve	Bronze	B150 C63000
20	Shaft Sleeve	Bronze	B150 C63000

Dimension

DN	INCH	B mm	C mm	φD	L mm	φW
50	2"	130	66	φ54	203	φ165
65	2½"	141	72	φ65	254	φ185
80	3"	145.5	85	φ82	279	φ200
100	4"	158.5	106	φ100	330	φ230
125	5"	212	120	φ125	356	φ255
150	6"	222	136	φ150	406	φ285
200	8"	265	163.5	φ200	495	φ345
250	10"	303	200	φ250	559	φ405
300	12"	333	248.5	φ300	660	φ485

Swing Check Valve Resilient Seated Flanged Ends

■ Fig.58FF

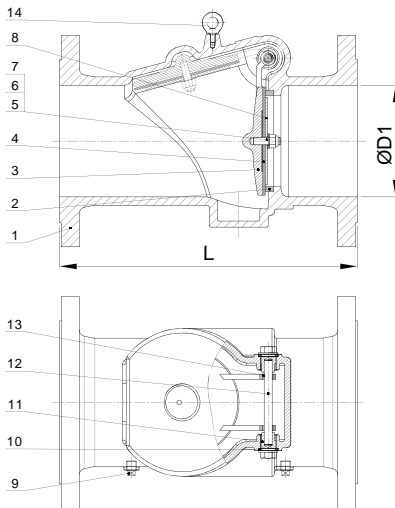


Technical Specification

- Valve Standard AWWA C508 / AWWA C550
- Working Pressure 365PSI
- Working Temperature -10°C ~ 120°C
- Flanged Ends ANSI B16.1 CLASS125 / B16.42 CLASS150 / B16.1 CALSS250 / EN1092-2 PN10 / PN16 / BS10 Table D / Table E

Material Specification

No.	Part	Material	Specification
1	Body	Stainless Steel Ductile Iron	ASTM A536 65-45-12 SS304
2	Seat	Brass	B271 C83600
3	Disc	Ductile Iron	ASTM A536 65-45-12
4	Sealing Ring	EPDM	--
5	Set Screw	Stainless Steel	SS304
6	Locking Nut	Stainless Steel	SS304
7	Plain Washer	Stainless Steel	SS304
8	Disc Retainer	Stainless Steel (DN50 ~ DN150) Ductile Iron (DN200 ~ DN300)	SS304 ASTM A536 65-45-12
9	Screw Plug	Stainless Steel	SS304
10	Washer	EPDM	--
11	Screw Plug	Stainless Steel	SS304
12	Shaft	Stainless Steel	SS304
13	Bushing	Bronze	B150 C63000
14	Eye Bolt	Stainless Steel (DN150 ~ DN300)	SS304



Dimension

DN	INCH	L mm	φD1
50	2"	203	φ52
65	2½"	222	φ62
80	3"	241	φ76
100	4"	305	φ103
125	5"	356	φ120
150	6"	394	φ148
200	8"	457	φ198
250	10"	533	φ248
300	12"	610	φ300

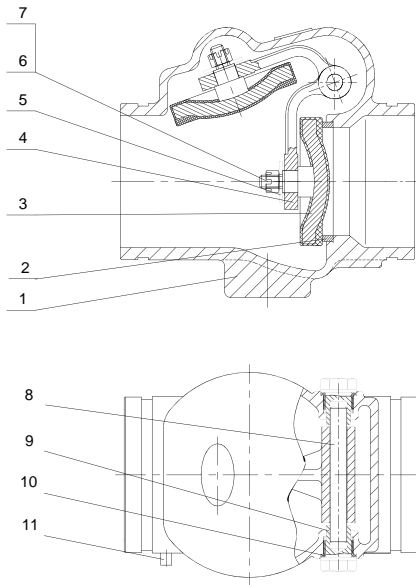
Swing Check Valve Resilient Seated Grooved Ends

■ Fig.50GG-GGP



Technical Specification

- Valve Standard AWWA C550 / AWWA C508
- Working Pressure 200PSI / 250PSI / 300PSI / 365PSI
- Working Temperature -10°C ~ 120°C
- Connection Ends AWWA C 606 / BG/T 8260



Material Specification

No.	Part	Material	Specification
1	Body	Ductile Iron	--
2	Seat	Bronze	C83600
3	Disc	Carbon Steel +Stainless Steel+EPDM	SS304
4	Swing Arm	Stainless Steel	ASTM 351 CF8
5	Washer	Stainless Steel	SS304
6	Hexgonal Slot Thin Nut	Stainless Steel	SS304
7	Split Pin	Stainless Steel	SS304
8	Shaft	Stainless Steel	SS304
9	Shaft Hole Plug	Stainless Steel	SS304
10	Plug The Gasket	EPDM	--
11	Plug	Stainless Steel	SS304

Swing Check Valve Resilient Seated Grooved Ends

■ Fig.50GG-GGP

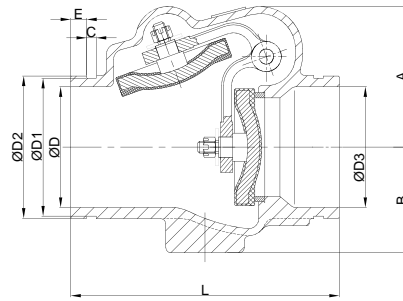


Fig.50GG

Dimension

DN	INCH	A mm	B mm	C mm	E mm	L mm	φD	φD1	φD2	φD3
50	2"	85	65	8.8	15.4	169	φ52	φ56.51	φ60.3	φ52
65	2½"	94	68	8.8	15.4	203	φ62	φ68.43/φ72.2	φ73/φ76.1	φ62
80	3"	109	80	8.8	15.4	213	φ76	φ84.28	φ88.9	φ76
100	4"	122	92	10.3	16	245	φ103	φ109.38	φ114.3	φ100
125	5"	140	105	10	16	267	φ120	φ136.27/φ135.4	φ141.3/φ139.7	φ120
150	6"	158	120	10	16	292	φ148	φ164/φ161	φ168.3/φ165.1	φ147
200	8"	270	150	12.9	19	356	φ198	φ214	φ219.1	φ196
250	10"	303	170	13.5	19	432	φ248	φ267.39	φ273	φ248
300	12"	373	200	13.5	19	495	φ292	φ317.33	φ323.9	φ292

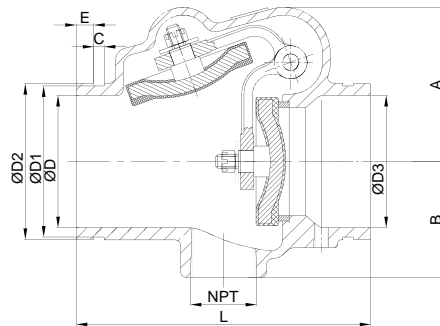


Fig.50GGP

Dimension

DN	INCH	A mm	B mm	C mm	E mm	L mm	φD	φD1	φD2	φD3	NPT
50	2"	85	65	8	16	169	φ52	φ57	φ60	φ52	1
65	2½"	94	68	8	16	203	φ62	φ69/φ72	φ73/φ76	φ62	1¼
80	3"	109	80	8	16	213	φ76	φ85	φ89	φ76	1¼
100	4"	122	92	10	16	245	φ103	φ110	φ114	φ100	2
125	5"	140	105	10	16	267	φ120	φ137/φ135	φ141/φ140	φ120	2
150	6"	158	120	10	16	292	φ148	φ164/φ161	φ168/φ165	φ147	2
200	8"	270	150	11	19	356	φ198	φ214	φ219	φ196	2
250	10"	323	170	13	19	432	φ248	φ268	φ273	φ248	2
300	12"	373	200	13	19	495	φ292	φ318	φ324	φ292	2

Swing Check Valve Resilient Seated Grooved Ends

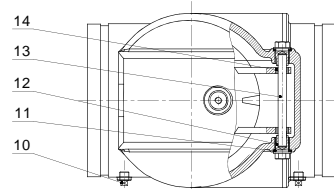
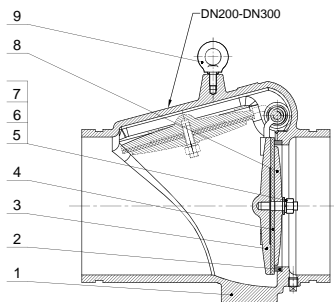
■ Fig.58GG-GGP



Technical Specification

- Valve Standard AWWA C550 / AWWA C508
- Working Pressure 365PSI
- Working Temperature -10°C ~ 120°C
- Connection Ends AWWA C 606 / BG/T 8260

Material Specification



No.	Part	Material	Specification
1	Body	Ductile Iron	ASTM A536 65-45-12
2	Seat	Bronze	B271 S83600
3	Disc	Ductile Iron	ASTM A536 65-45-12
4	Seal Ring	EPDM	--
5	Set Screw	Stainless Steel	SS304
6	Hexagon Nut	Stainless Steel	SS304
7	Plain Washer	Stainless Steel	SS304
8	Disc Retainer	Stainless Steel (DN50 ~ DN150) Ductile Iron (DN200 ~ DN300)	SS304 ASTM A536 65-45-12
9	Eyebolt (8" 10" 12")	Stainless Steel	SS304
10	Plug	Stainless Steel	SS304
11	Plug The Gasket	EPDM	--
12	Shaft Hole Plug	Stainless Steel	SS304
13	Shaft	Stainless Steel	SS304
14	Bushing	Bronze	B150 C63000

Swing Check Valve Resilient Seated Grooved Ends

■ Fig.58GG-GGP

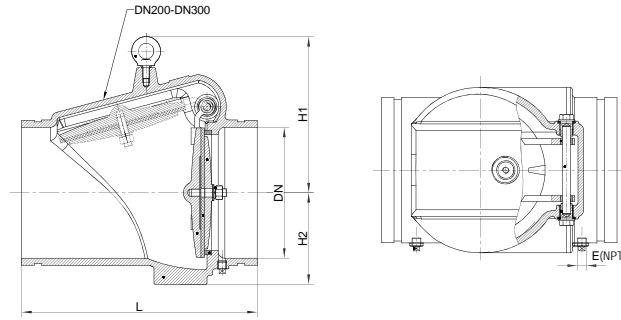


Fig.58GG

Dimension

DN	INCH	L mm	H1 mm	H2 mm	E
50	2"	169	80	63	¼"
65	2½"	203	85	68	¼"
80	3"	213	93	75	¼"
100	4"	245	103	87	¼"
125	5"	267	121	95	¼"
150	6"	292	140	110	¼"
200	8"	356	237	137	¼"
250	10"	432	277	161	¼"
300	12"	495	309	184	¼"

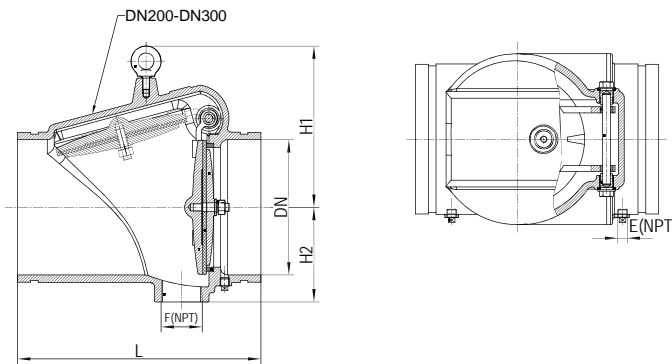


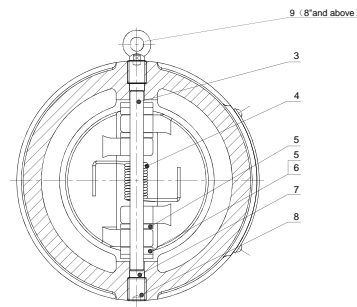
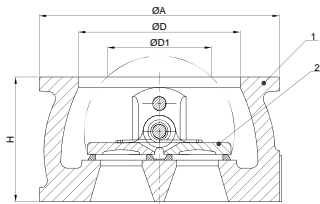
Fig.58GGP

Dimension

DN	INCH	L mm	H1 mm	H2 mm	E	F
50	2"	169	80	63	¼"	1"
65	2½"	203	85	68	¼"	1¼"
80	3"	213	93	75	¼"	1¼"
100	4"	245	103	87	¼"	2"
125	5"	267	121	95	¼"	2"
150	6"	292	140	110	¼"	2"
200	8"	356	237	137	¼"	2"
250	10"	432	277	161	¼"	2"
300	12"	495	309	184	¼"	2"

Check Valve Resilient Seated Wafer Ends

■ Fig.50W



Technical Specification

- Valve Standard API 594
- Working Pressure 175PSI / 200PSI / 250PSI / 300PSI
- Working Temperature -10°C ~ 120°C
- Connection Ends ASME B16.1 Class125
/ BS EN 1092-2 PN10/PN16
/ JISB2239 10K (DN50 ~ DN80)
/ AS2129 TableD / TableE (DN100 ~ DN300)

Material Specification

No.	Part	Material	Specification
1	Body	Ductile Iron+EPDM	ASTM A536 65-45-12
2	Disc	Ductile Iron	ASTM A536 65-45-12
		Stainless Steel Bronze	ASTM A351 CF8 / CF8M C95400
3	Stem	Stainless Steel	SS304 / SS316
4	Spring	Stainless Steel	SS304
5	Washer	Stainless Steel+PTFE	SS304
6	Gasket	Stainless Steel+PTFE	SS304
7	Sealing	EPDM	--
8	Plug	Blackening Of	--
		Carbon Steel	--
9	Lift Ring	Carbon Steel	--

Dimension

DN	INCH	H mm	ϕD	$\phi D1$	ϕA
50	2"	54	$\phi 51$	$\phi 45$	$\phi 107$
65	2½"	60	$\phi 69$	$\phi 63$	$\phi 127$
80	3"	67	$\phi 78$	$\phi 66$	$\phi 142$
100	4"	67	$\phi 94$	$\phi 92$	$\phi 161$
125	5"	83	$\phi 115$	$\phi 120$	$\phi 192$
150	6"	95	$\phi 134$	$\phi 143$	$\phi 218$
200	8"	127	$\phi 182$	$\phi 177$	$\phi 273$
250	10"	140	$\phi 220$	$\phi 229$	$\phi 328$
300	12"	181	$\phi 260$	$\phi 251$	$\phi 380$

MANUFACTURING EXCELLENCE

Brand own production facility

Integrated casting, machining, color Painting, vulcanization, assembling, testing, stocking in one site.

You can be beneficial from vertical integration production as follows:

- Fully-controlled products quality in each chain
- Reduced cost
- Shortened lead time
- Turn-key Solution



TOP-LEVEL R&D CENTER



5 Test Labs | 6 Test Platforms | 1 Trial Production Center



The R&D center provides strong support for the research and development of new products, the optimization and upgrading of product series, and the sustainable development of Galaxy valve products.



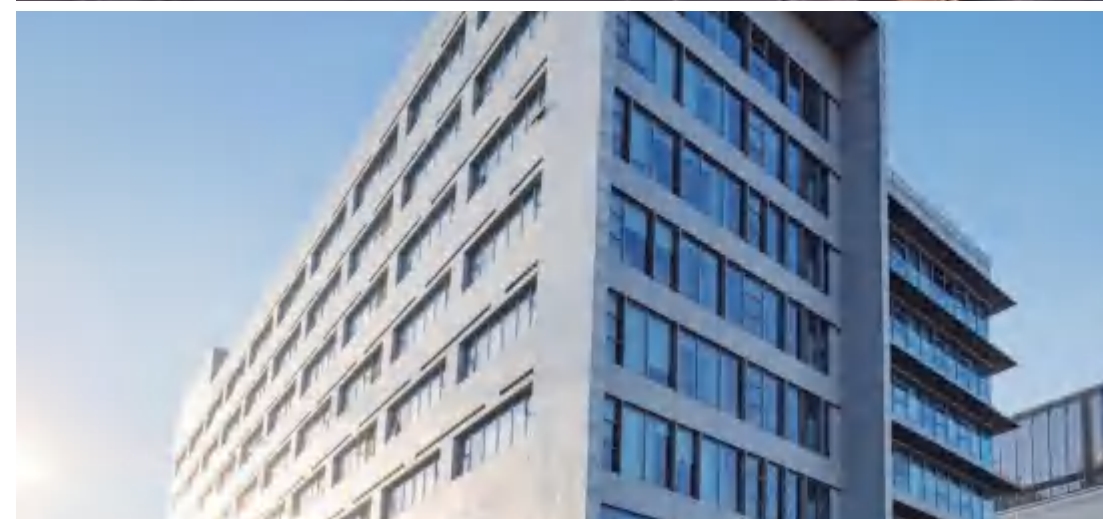
Dubai Sport Centre
Dubai UAE



Pfizer, Inc
CHINA



Phnom Penh Airport
Cambodia



Huahong Semiconductor
(Wuxi) Co., Ltd
SEMICONDUCTOR
CHINA

Make Fluid Control to be Adaptive And Energy Efficient

GALA

 **GALA USA**

GALA RS INC

8605 Santa Monica Blvd 30327 West Hollywood, CA 90069

+1-713-562-8136

 **GALA SOUTHEAST ASIA**

GALAXY VALVES (THAILAND) CO., LTD.

209/21 Moo 2, Tombon Phraeksamai, Amphoe Mueang Samutprakan,
Changwat Samutprakan, Thailand

+66-2-1380469

 **GALA MIDDLE EAST**

GALA INTERNATIONAL FZE

LB18 2101-2103, Jafza View 18, Jafa, Duba, UAE

+971 4 885 6516

 **GALA RUSSIA**

LLC Aquaflo Controls

Москва, Каширское шоссе. Зк2с12, офис 302

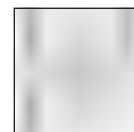
+7 499 136 76 66

 **GALA CHINA**

TIANJIN GALAXY VALVE CO., LTD.

No.49, Guanghui Road, Beizhakou Town, Jinnan District, Tianjin, China

+86-22-28750815



Website



Linkedin